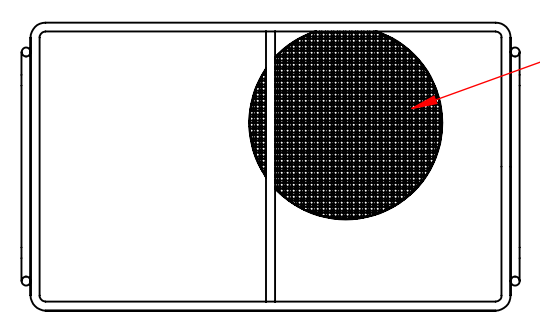
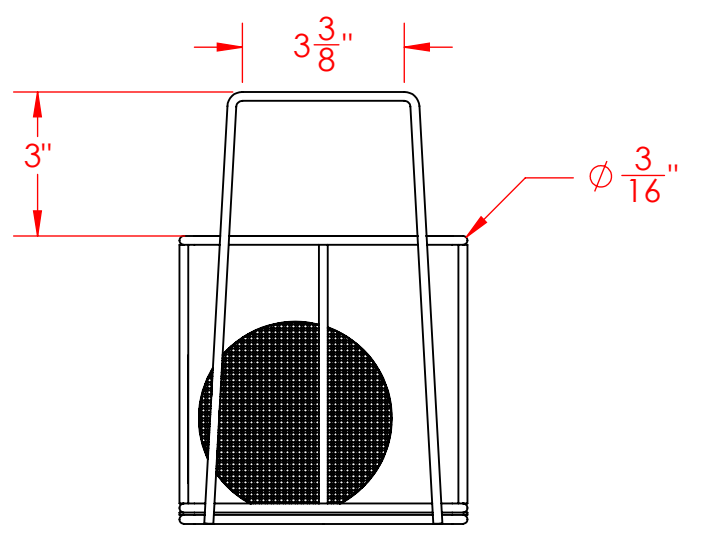
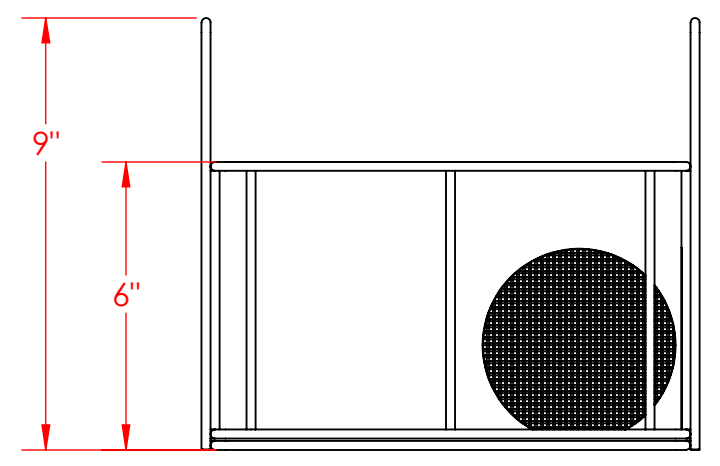
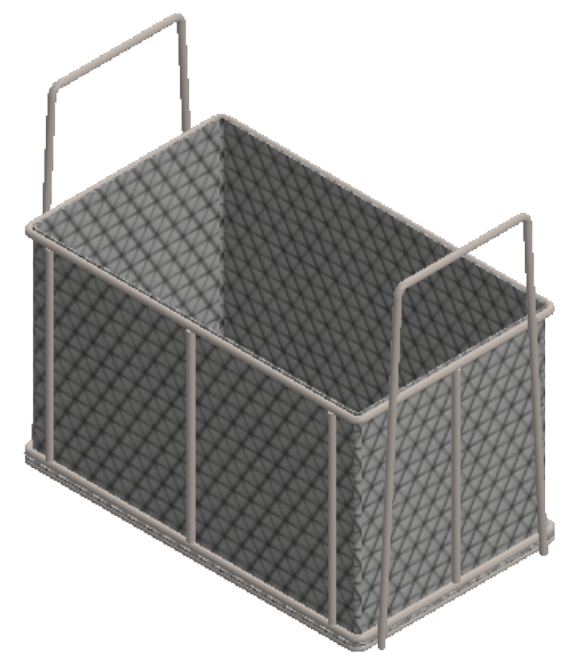
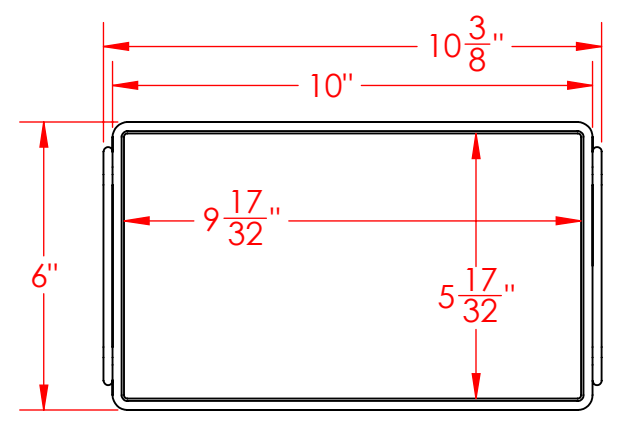


D
C
B
A

D
C
B
A



Lined Bottom and Sides with 8 Mesh x .047" Woven Wire (.078" Openings, 39% Open Area)

PROPRIETARY AND CONFIDENTIAL
THE INFORMATION CONTAINED IN THIS DRAWING IS THE SOLE PROPERTY OF THREE M TOOL. ANY REPRODUCTION IN PART OR AS A WHOLE WITHOUT THE WRITTEN PERMISSION OF THREE M TOOL IS PROHIBITED.

UNLESS OTHERWISE SPECIFIED:	
DIMENSIONS ARE IN INCHES	
TOLERANCES:	
FRACTIONAL	± 1/16"
ANGULAR	± 5 DEG.
TWO PLACE DECIMAL	±0.03
THREE PLACE DECIMAL	±0.015
EST WGT	3.4 lbs.
MATERIAL	304 Stainless Steel
FINISH	Natural
DO NOT SCALE DRAWING	

Rectangular Wire Mesh Basket:
10Lx6Wx6H, 304 SS, 3/16 Rod Frame,
Stacking Handles, Mesh: 8 x .047

SIZE **B** DWG. NO. TMT-100060060-A08S